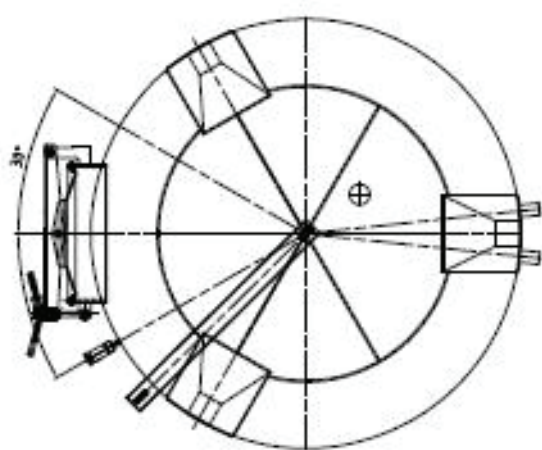
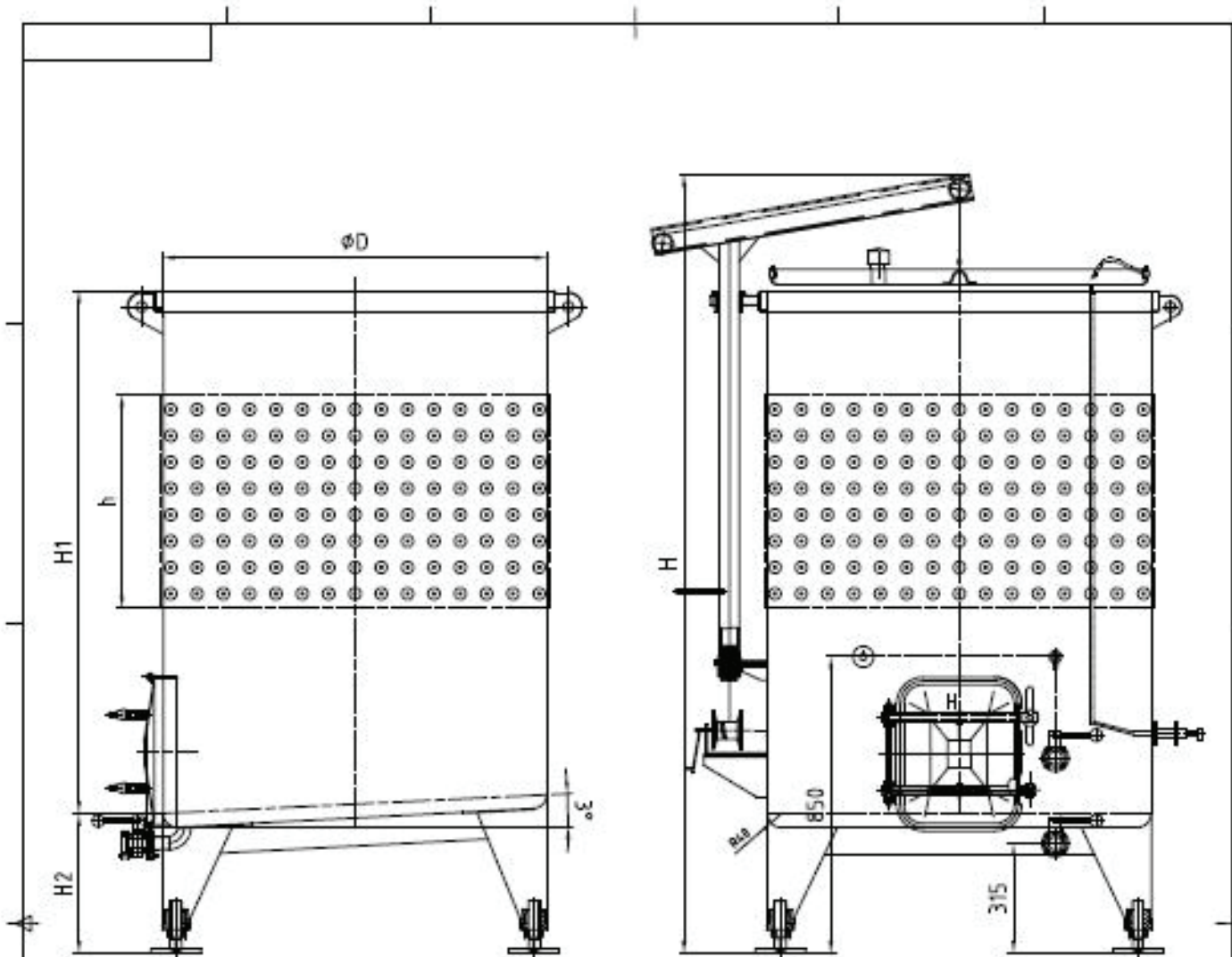




Variable Capacity Tank

Catalogue



Prettech Canada
The copyright of this drawing is the property of Prettech Canada. Unauthorized disclosure or duplication to the third party is not permitted.

APPD.	TITLE		
CHKD.	Variable Capacity Tank		
DESU.	DRAWING NO.	VERSION:	DATE:
		SCALE: 1:1	SHEET OF

Variable Capacity Tank

Type	Volume V (Lit)	Shell dimension Φ D (mm)	Total height H (mm)	Shell height H ₁ (mm)	Legs height H ₂ (mm)	Legs number N	Cooling area (m ²)
OT 1	1000	1000	2280	1500	400	3	1.8
OT 1.5	1500	1200	2300	1500	400	3	2.2
OT 2	2000	1300	2600	1610	400	3	3
OT 2.5	2500	1300	2700	1900	400	4	4
OT 3	3000	1400	3000	2000	400	4	4.2
OT 3	3000	1600	2500	1500	400	4	3
OT 4	4000	1600	3000	2000	400	4	4.9
OT 5	5000	1600	3500	2500	400	4	6
OT 5	5000	1800	3100	2000	400	4	5.5
OT 6	6000	1600	4100	3000	400	4	6
OT 6.5	6500	1800	3600	2500	400	4	6.8
OT 8	8000	1800	4100	3000	400	4	8.4
OT 8	8000	2100	3700	2500	500	4	8.5
OT 10	10000	2100	4200	3000	500	4	9.7
OT 12	11200	2200	4250	3000	500	4	10.2
OT 15	13500	2200	4900	3660	500	4	13.6

NOTE:

- *The capacity and dimension of the tank can be customized.*
 - *Standard heating exchange area covers 25% - 40% of the total shell area.*
 - *All tanks top and bottom ends are made of ss316L.*
 - *Bottom end can be designed into a cone.*
-

Contact Us

Email: info@pretttechcanada.com

Phone [Office]: (604) 783-6003

Fax: (778) 371-3401

**Location: Unit 65, 600-1285 West Broadway,
Vancouver, BC V6H 3X8**

